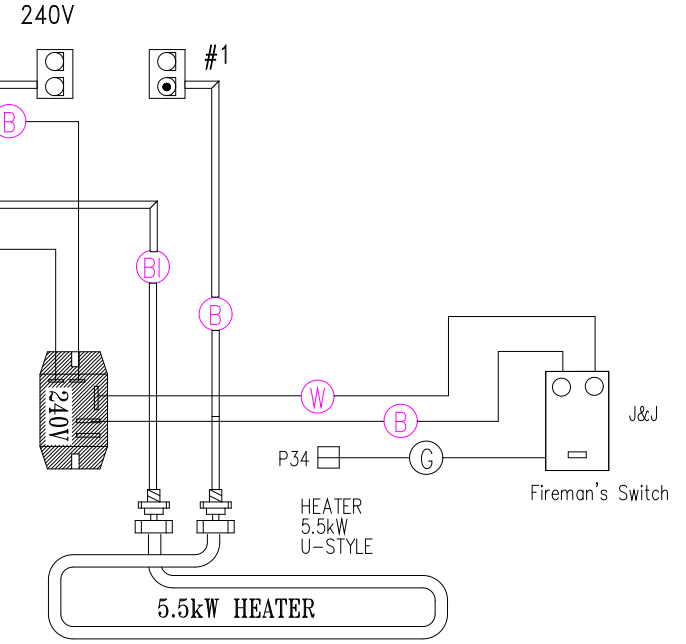
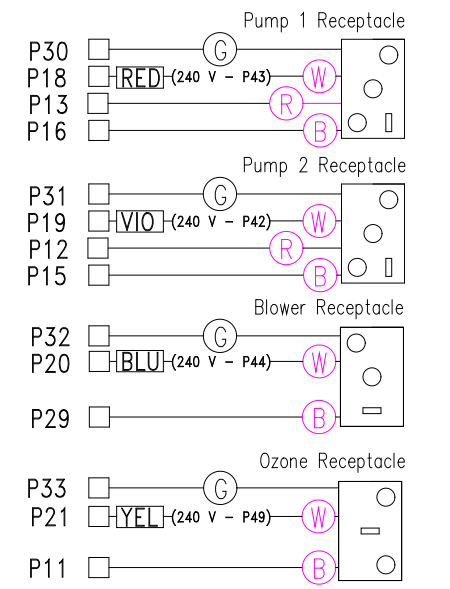
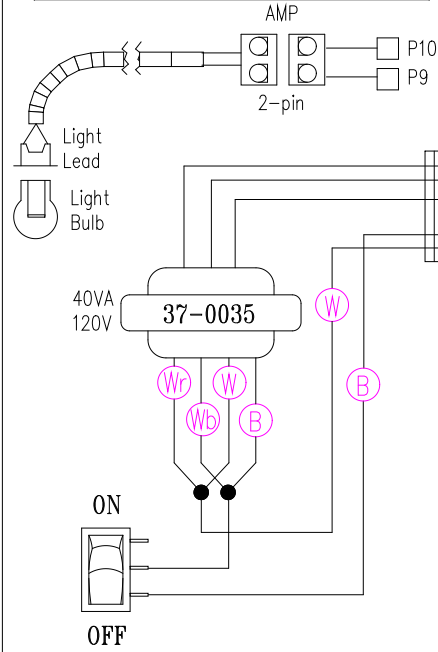
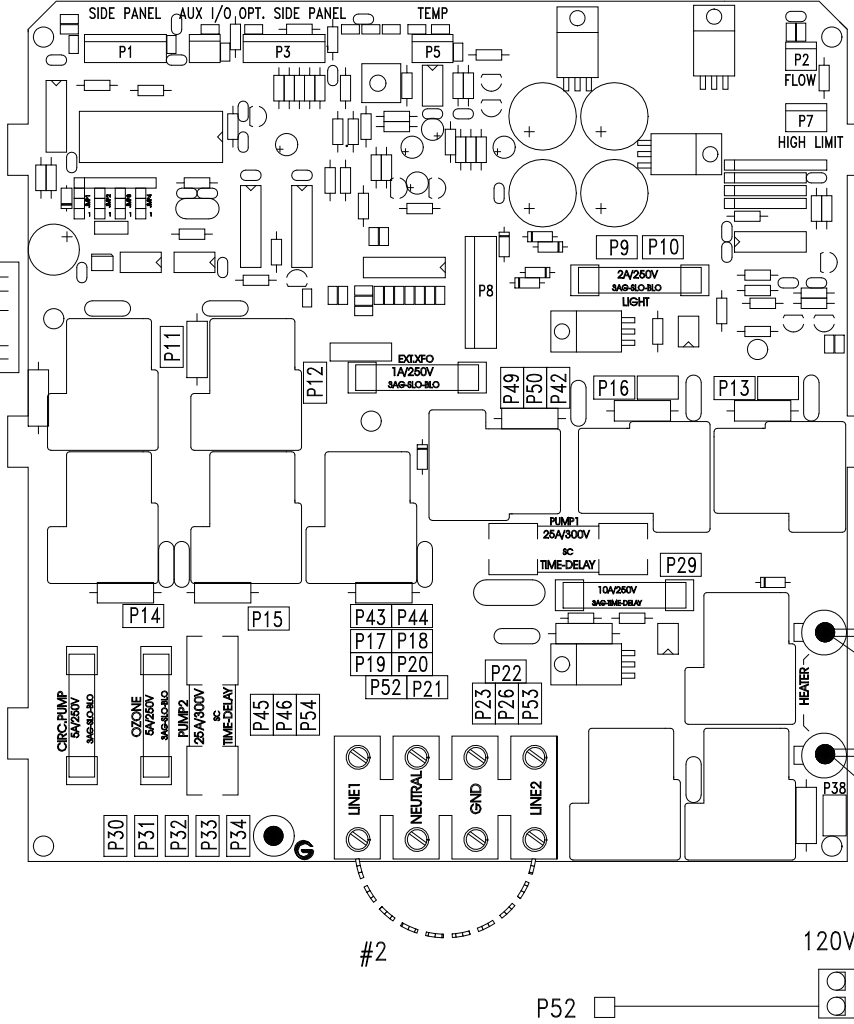


LEGEND	
	- 1/4" QUICK CONNECT
	- 1/4" QUICK CONNECT PIGGYBACK
	- FORK CONNECTOR
	- RING CONNECTOR
	- SOCKET CONNECTOR
	- PIN CONNECTOR

33-0010-R4



HYDRO-QUIP
CORONA, CA (909) 273-7575

Manufacture Notes: Diagram used for both 240 only & convertible units. See conversion sheet

#1 For 240V operation of the heater, Plug must be installed into 240V receptacle.
For 120V operation of the heater, Plug must be installed into 120V receptacle.

#2 Line 1 and 2 need to be SEPARATED for 240V operation.
Line 1 and 2 need to be CONNECTED for 120V operation.

Dwg. No. H222A0-KPQY8-C	Drawn DJT	Rev 13
Approved By:	Date 9.13.00	Diagram No. 5002-8

Wire Color Code	
B - Black	G - Green
Br - Brown	Bl - Blue
R - Red	V - Violet
O - Orange	W - White
Y - Yellow	Gr - Gray